

# **FISHER & PAYKEL**

## **RANGE HOOD**

---

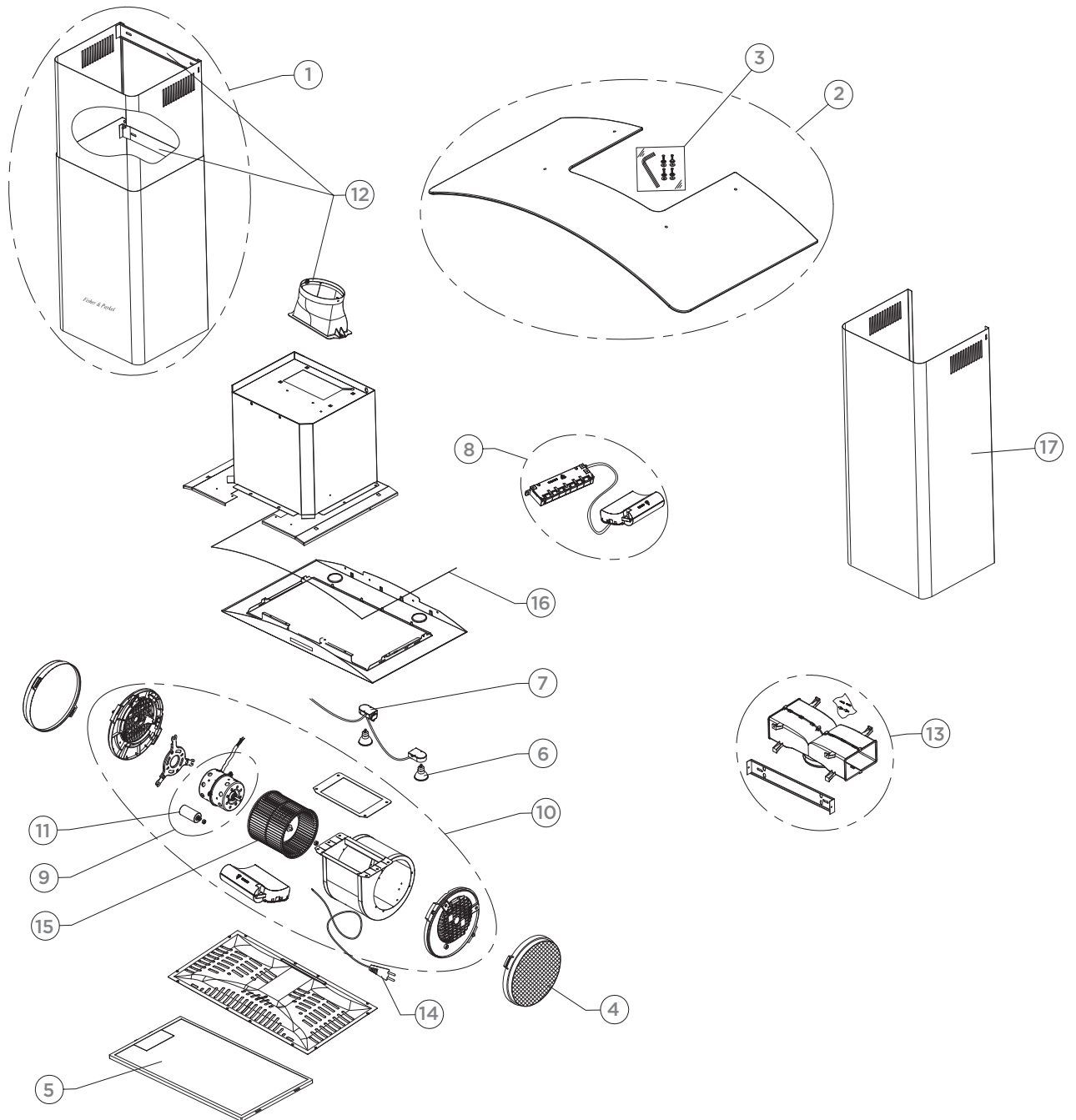
**HC90CGX1 FP AA**

**PRODUCT CODE: 81337-A**

**PARTS MANUAL**

**AA**

3 RANGEHOOD



**FISHERPAYKEL.COM**

© Fisher & Paykel Appliances Ltd 2018. All rights reserved.

The product specifications in this booklet apply to the specific products and models described at the date of issue. Under our policy of continuous product improvement, these specifications may change at any time. You should therefore check with your Dealer to ensure this booklet correctly describes the product currently available.

**AA**

**PRODUCT CODE: 81337-A 10.18**